

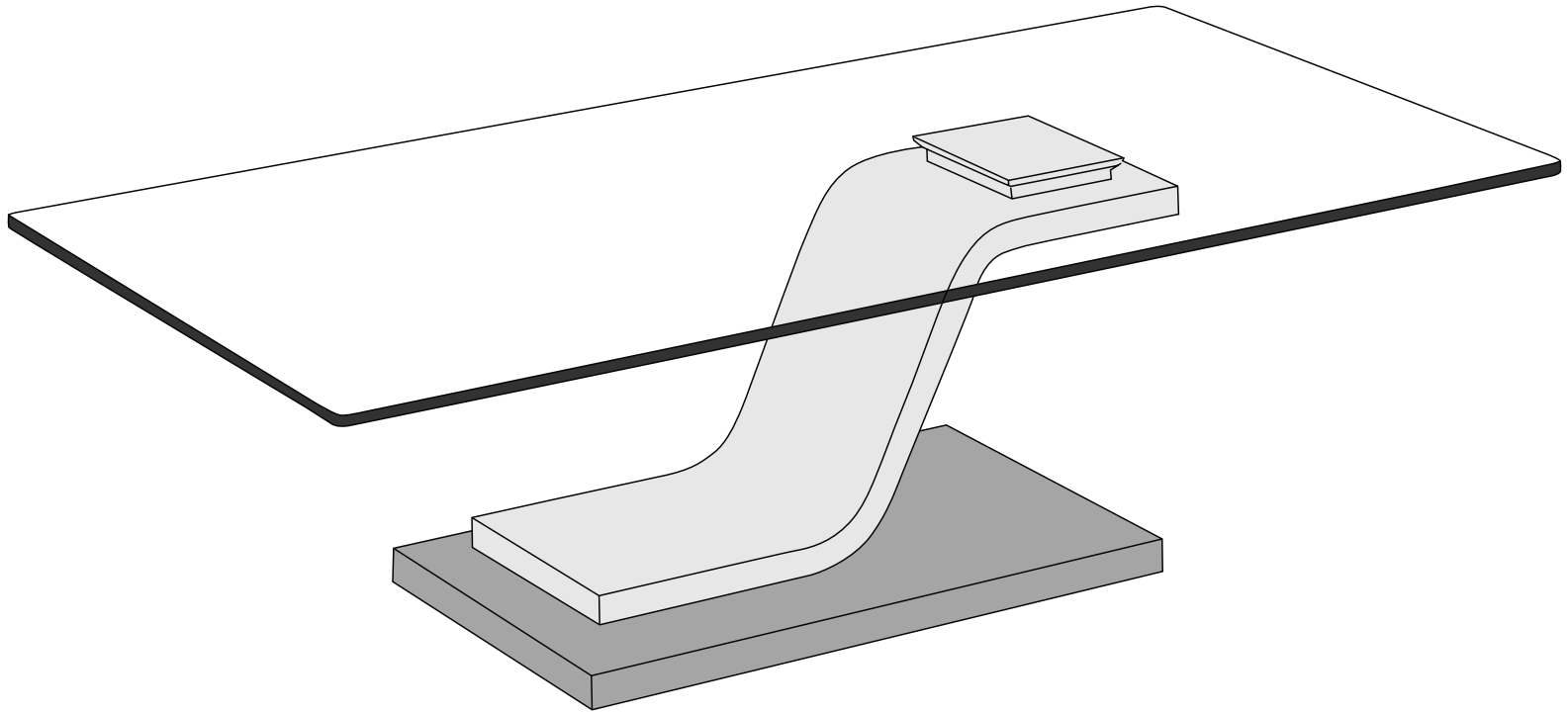


# VOLO

2039 Cocktail Table

2039E End Table

2039C Console Table



## Hardware

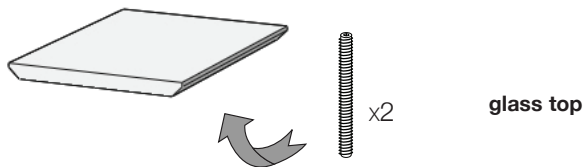
 Button Head Screw  
x4

 Set Screw  
x2

 Allen Wrench  
x1

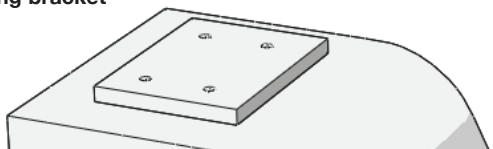


Two person assembly recommended

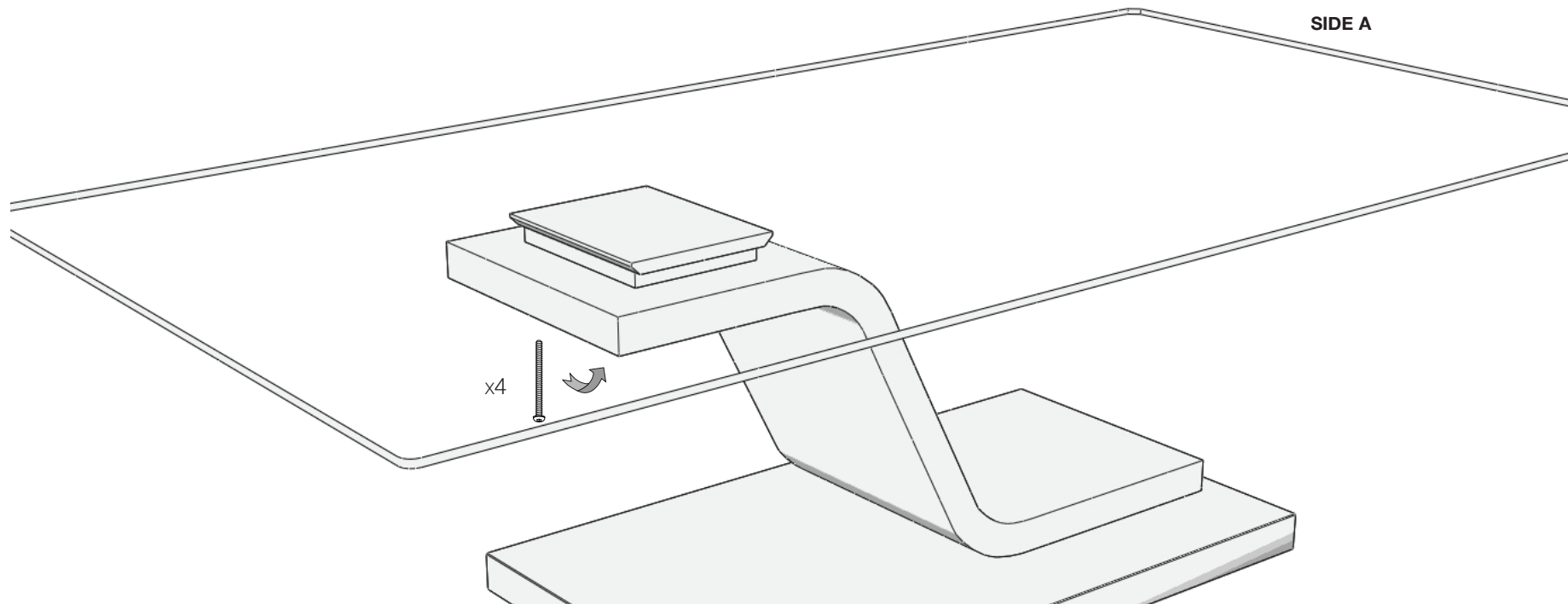


Position set screws as shown. Carefully lower the glass using set screws as guides.

mounting bracket



Once glass is aligned, one person MUST hold the glass on SIDE A until assembly is complete. Before removing set screws, secure glass with two button head screws, do not tighten completely. Remove set screws and replace with remaining button head screws. Tighten all screws to complete assembly.



**HAND TIGHTEN  
DO NOT USE POWER TOOLS**