


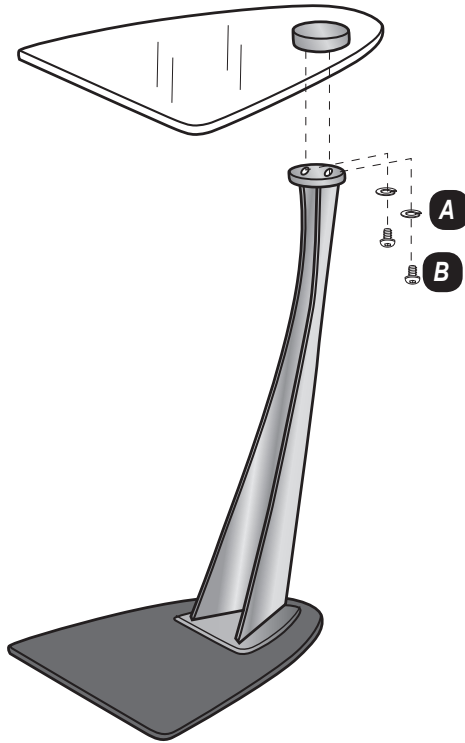


MODEL **IRIS**
249 Accent Table

ASSEMBLY INSTRUCTIONS

PART ID	DESCRIPTION	QUANTITY
A	 Lock Washer	2
B	 Buttonhead Screw	2
C	 Allen Wrench	1



Secure stem of table to glass table top using Allen Wrench (C) to screw Lock Washers (A) and Buttonhead Screws (B) into neck of body unit.

NOTE:

MAKE SURE THE THE GLASS TOP IS STRAIGHT BEFORE TIGHTENING THE SCREWS ON THE BOTTOM.