

Hardware



Button Head Screw

x3



Lock Washer

x3



Washer

x3



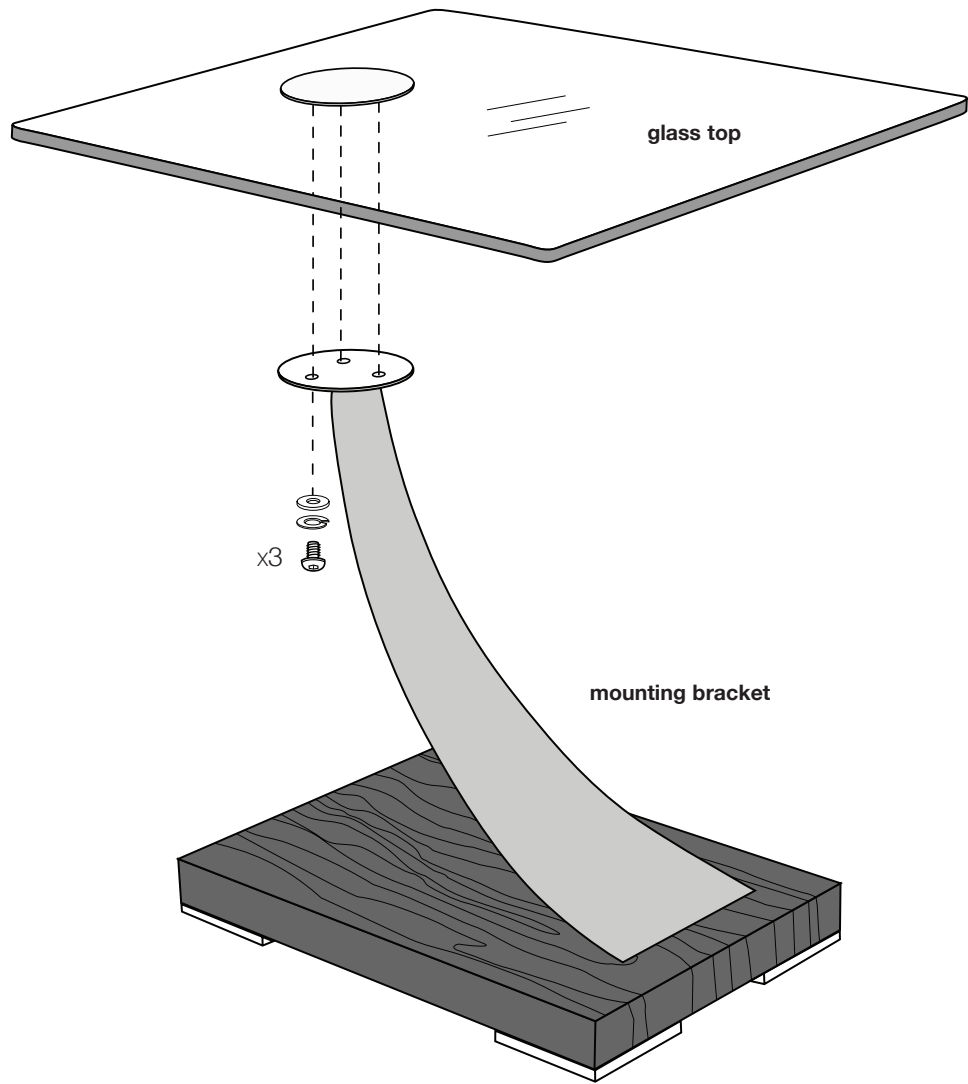
Set Screw

x1



Allen Wrench

x1



Fasten Glass Top to Mounting Bracket with buttonhead allen bolts, lock washers and washers. Tighten all bolts to complete assembly.

HAND TIGHTEN
DO NOT USE POWER TOOLS

www.elitemodern.com

ELITE
MODERN