


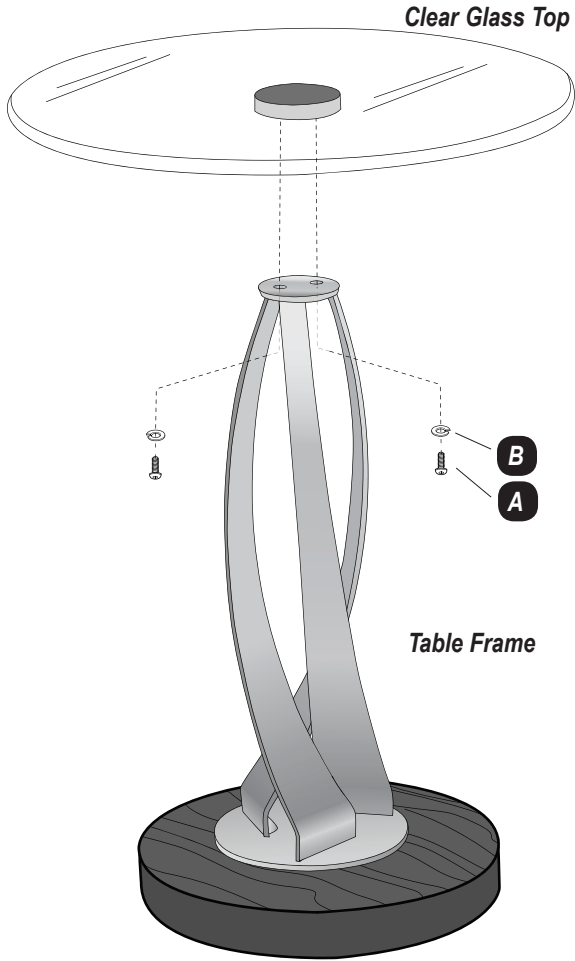


MODEL **GIGI**
270 Accent Table

ASSEMBLY INSTRUCTIONS

PART ID	DESCRIPTION	QUANTITY
---------	-------------	----------

A	 Buttonhead Allen Bolt	2
B	 Lock Washer	2
C	 Allen Wrench	1



STEP ONE

Carefully place Glass Top onto Table Base and align mounting holes.

STEP TWO

Fasten Glass Top to Table Frame with **Buttonhead Allen Bolts (A)** and **Lock Washers (B)**, using **Allen Wrench (C)**. Tighten all bolts to complete assembly.