


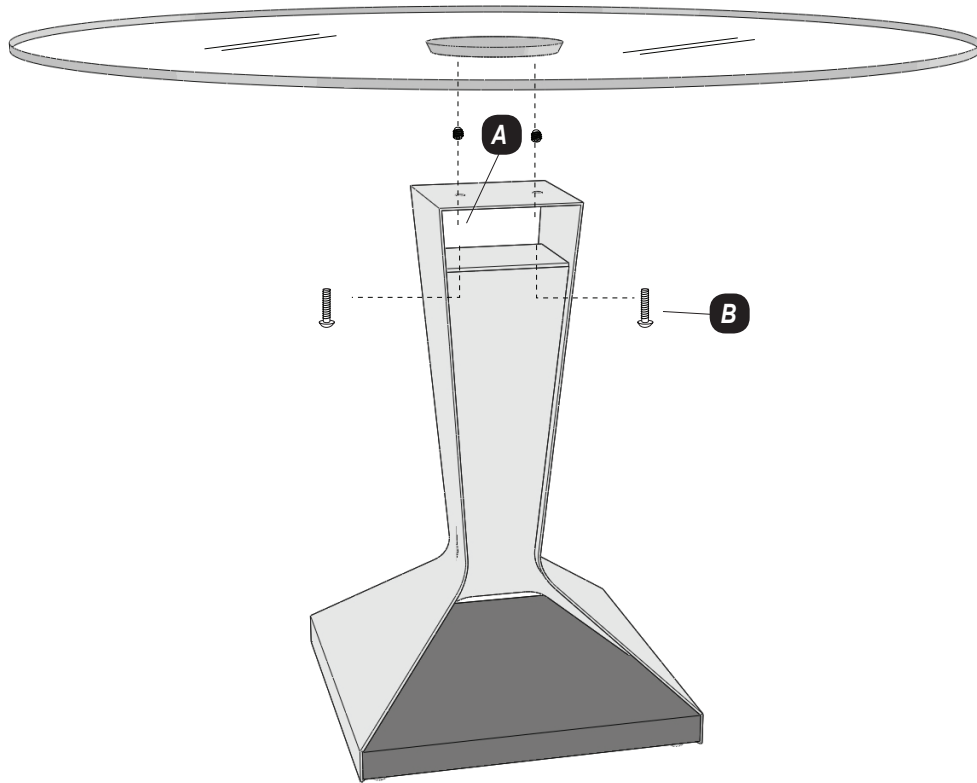


**BEACON  
380 DINING TABLE  
380P PUB TABLE**

**ASSEMBLY INSTRUCTIONS**

PART ID	DESCRIPTION	QUANTITY
<b>A</b>	 Small Set Screw	2
<b>B</b>	 Buttonhead Screw	2
<b>C</b>	 Allen Wrench	1



**STEP ONE**

Loosely fasten **Small Set Screws (A)** into glass top. **Do not tighten small set screws all the way in--you will use these to help align glass to the top of the table base.**

**STEP TWO**

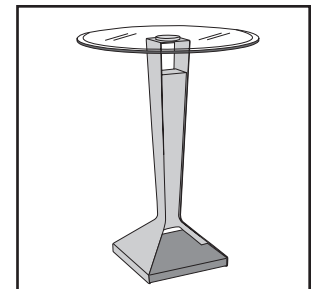
Carefully place the glass onto the top of the table base. Align small set screws on the glass with the holes on the top of table base.

**STEP THREE**

Once aligned remove **Small Set Screws (A)** then fasten the glass top with **Buttonhead Screws (B)** **Allen Wrench (C)**.

**HAND TIGHTEN**

**DO NOT USE  
POWER TOOLS**



380P Pub Table