

Hardware



x6

Button Head Screw



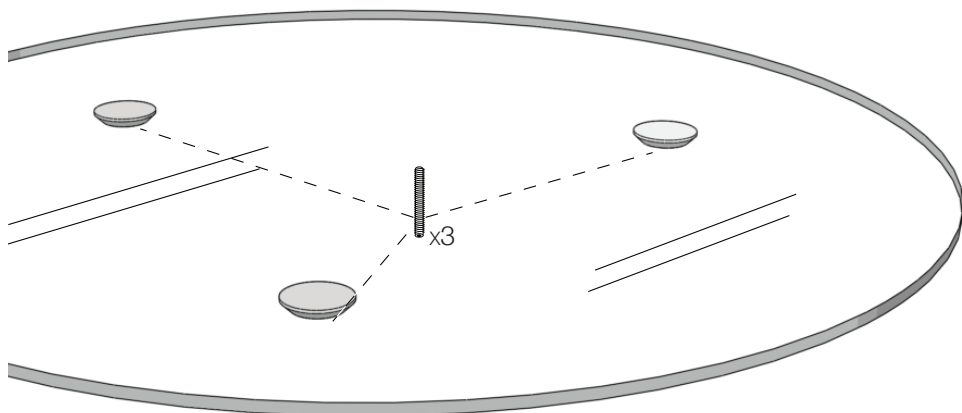
x3

Set Screw

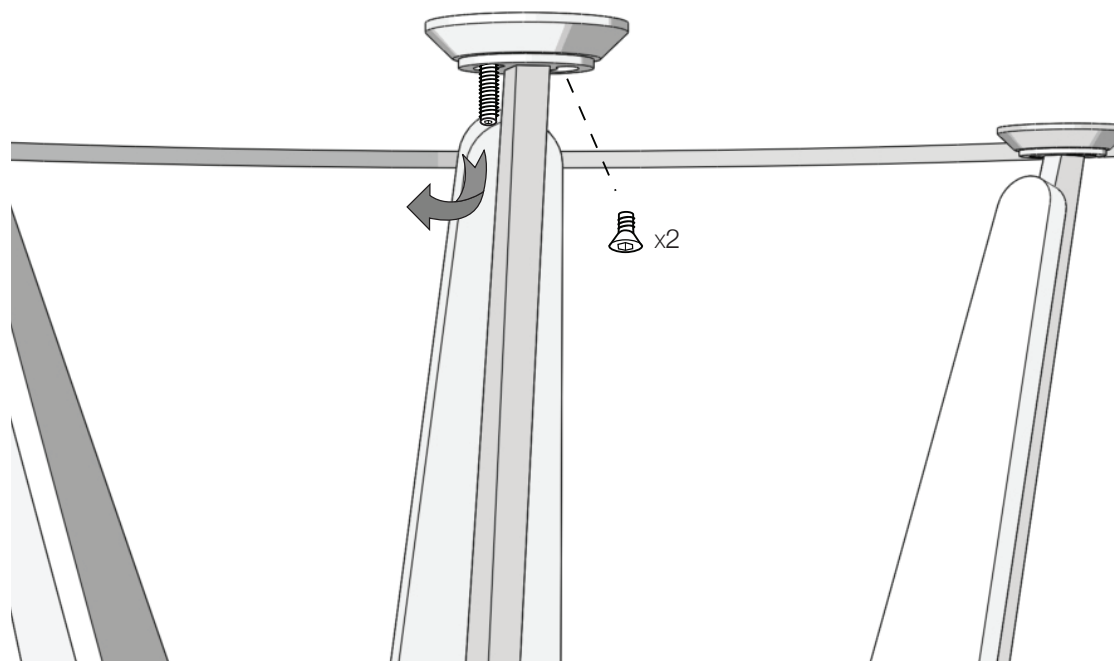


x1

Allen Wrench



Place one set screw on each disc to help align glass to base.



Remove set screws and secure glass with provided hardware.

HAND TIGHTEN
DO NOT USE POWER TOOLS