


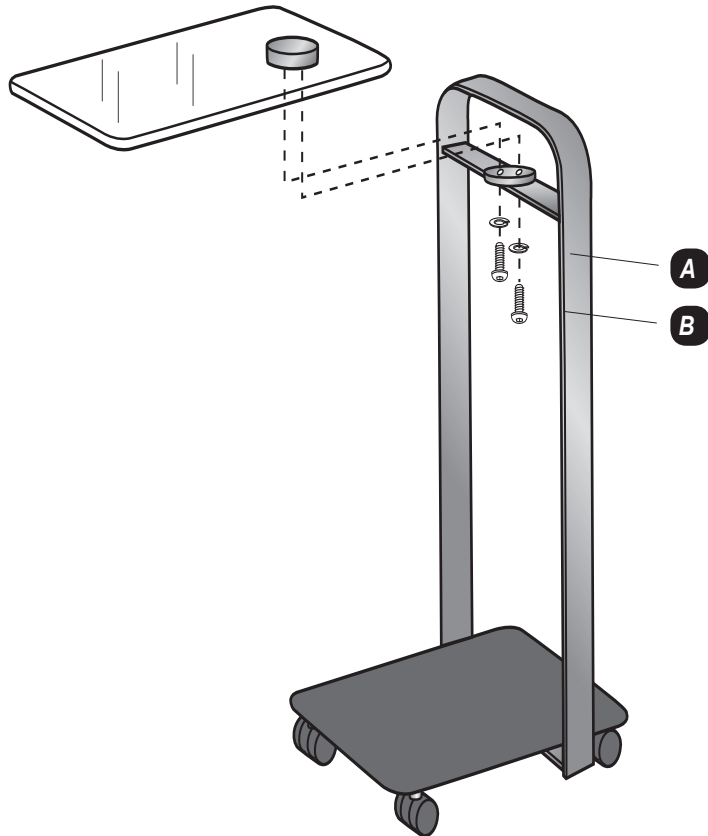


MODEL **DECO**  
**248 Accent Table / 2041 Laptop Cart**

**ASSEMBLY INSTRUCTIONS**

PART ID	DESCRIPTION	QUANTITY
<b>A</b>	 Lock Washer	2
<b>B</b>	 Long Silver Buttonhead Bolts	2
<b>C</b>	 Allen Wrench	1



Secure steel frame to glass table top by screwing in Lock Washer (A) and Short Buttonhead Screws (B) into disc that is attached to glass plate.

**NOTE:**

**MAKE SURE THE GLASS TOP IS STRAIGHT BEFORE TIGHTENING THE MOUNTING BOLTS ON THE BOTTOM.**